

Notes

1. Tree or Shrub Transplant: Whip bare root and in accordance with the National Plant Specification.
2. Stakes to be pressure treated 32x32mm Softwood or 32mm dia. Chestnut. Stakes to be 1.2m long, pointed at the base and must be at least 75mm above top of tie.
3. 2 No. biodegradable ties positioned 75mm from top of stake and 75mm above ground level.
4. 50mm deep Organic Bark Mulch in soft landscape areas. Sample to be approved.
5. Hedgerow trench to be 750mm width x 350mm depth. Cultivate base of trench to 200mm depth to ensure free drainage. Backfill with 80% topsoil and 20% peat free organic compost.
6. Recycled HDPE or LDPE Photodegradable olive green colour shelters 750mm height x 80x110mm dia. Set 25mm below ground level.

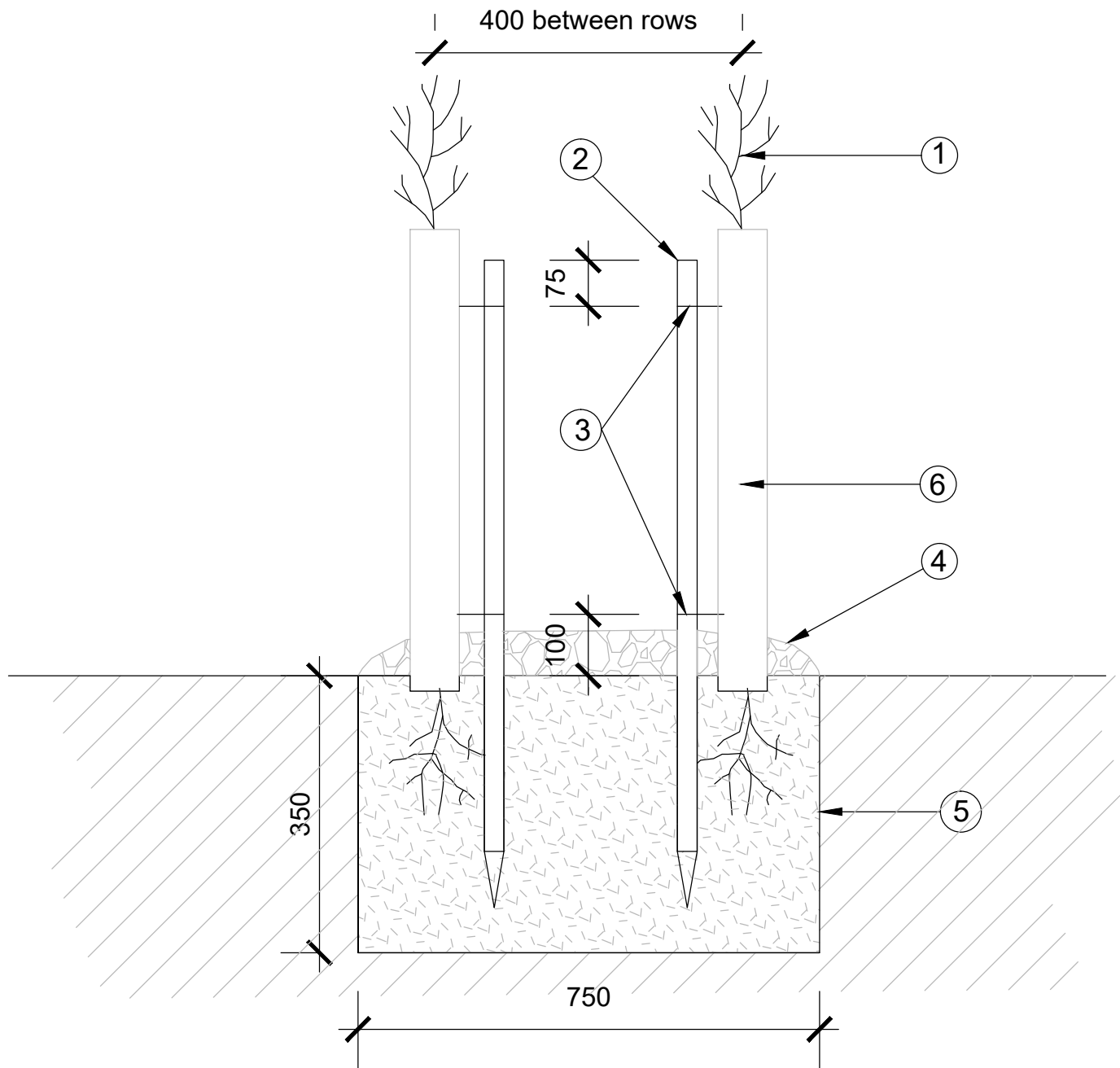
2

3

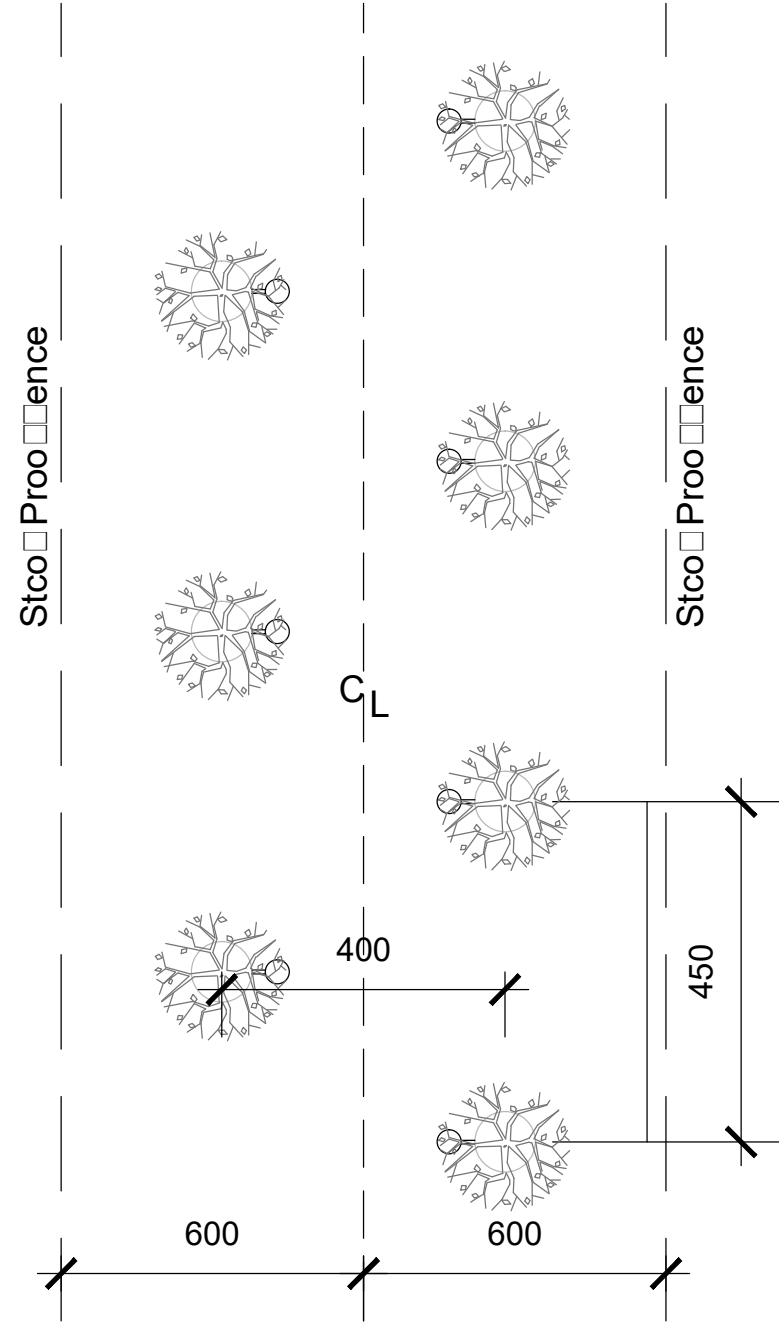
4

5

6



Side Elevation 1:10



Plan View 1:10

P0	03/10/16	□D	M□	
Issue	Date	By	Ch:td	Appd

ARUP

4 Pierhead Street, Capital Waterside
 Cardiff, CF10 4AP
 T +44(0)20473727 □ +44(0)20472277
 www.arup.com

Client
 Cuadrilla Bowland Ltd.

Job Title
 Shale Gas Exploration
 at Preston New Road

Double Staggered Row
 Hedge Planting Detail

Scale at A3
 1:10

Discipline
 Landscape Design

Job No
230382-01 Drawing Status
PLANNING

Drawing No
PNR-ARP-LD-008 Issue
P1